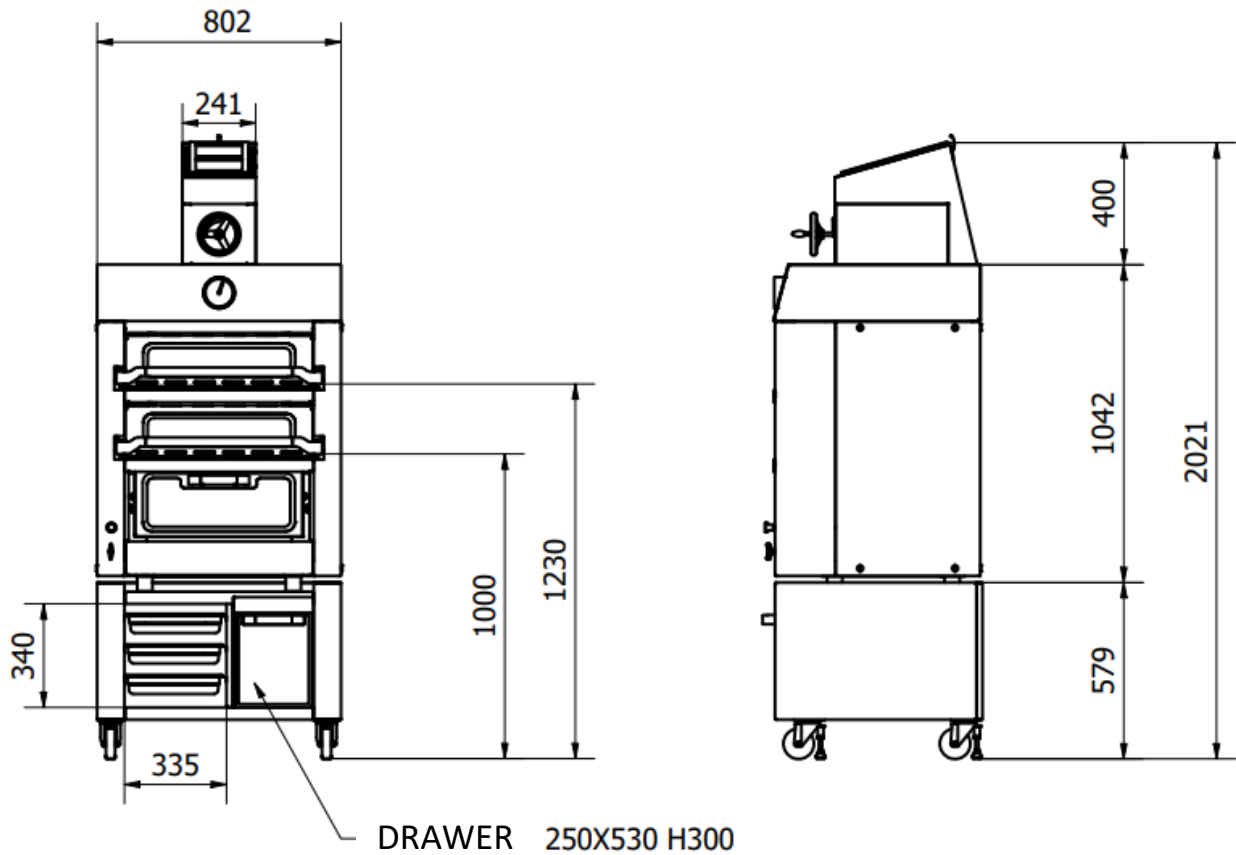


UNIVERSO

artisanal grills



PRODUCTIVITY VALUES		TECHNICAL DATA	
RECOMMENDED CHARCOAL LOAD	4-5 KG	WIDTH	802 mm
AVERAGE CONSUMPTION PER HOUR	0.8 kg/hour	DEPTH WITH GRID DRAWER CLOSED	675 mm
AVERAGE DURATION	4 hours	DEPTH WITH GRID DRAWER OPEN	990 mm
IGNITION TIME	30 min	OVEN HEIGHT + SMOKE OUTLET MODULE	1442 mm
AVERAGE PRODUCTION PER HOUR	40 kg/hour	TOTAL HEIGHT WITH TROLLEY	2021 mm
SERVICE TEMPERATURE	280/360°C	TOTAL OVEN WEIGHT	270 kg
CAPACITY OF TRAYS	2GN	TOTAL TROLLEY WEIGHT	50 kg
		NOMINAL POWER	3.5 kw
		ELECTRIC FAN POWER SUPPLY	220 volt

Technical Sheet UGO B2